



## VxJet 9x/18x

Integrated Valve Jet Printheads



# VxJet 9x/18x

Integrated Valve Jet Printheads

## Features and Benefits:



**Industrial Valve Printhead** design features 100% environmentally sealed aluminum housings and stainless steel faceplates for long lasting results in demanding environments.

**System Control & Ink Delivery Hub** design allows a single system to power and supply ink to multiple printheads on separate lines while maintaining system controls safely away from the production line.

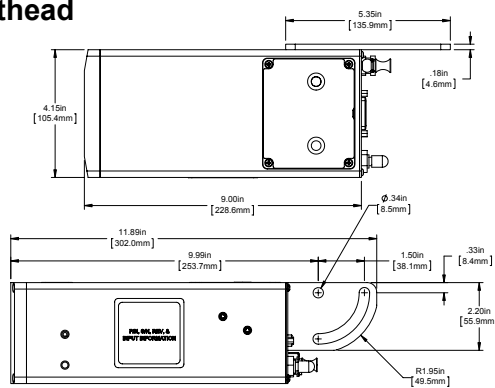
**Autocode Message Creation** offers built-in code formats such as date codes, lot codes and batch codes to quickly develop messages for printing.

**Wide Ink Variety** including water and alcohol based formulations are available to print on almost any type of surface including corrugate, plastic, metal, wood, gypsum and PVC.

## System Specifications:

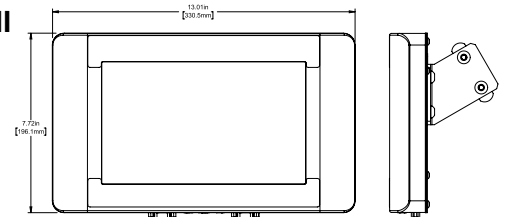
<b>Controller</b>	Marksman HMI
<b>Connectivity</b>	1-Ethernet, 1-USB, 2-RS232
<b>Print Height</b>	5/18" to 7/8" (9x), 5/18" to 2" (18x)
<b>Lines of Print</b>	Up to 3 stacked lines (18x)
<b>Print Technology</b>	Drop on Demand, Solenoid, 1000hz
<b>Print Speed</b>	Up to 650 fpm
<b>Print Orientation</b>	360° for Top, Side and Bottom Printing
<b>Ink Type</b>	Porous or Non-Porous
<b>Throw Distance</b>	Up to 1/2"
<b>Operating Conditions</b>	Temperature: 40° - 104° F (5° - 40° C); Relative Humidity: 10% - 90% (non-condensing)
<b>Ink Delivery</b>	VxJet IDS Large Bulk Supply Supports Multiple Printheads
<b>Ink Supplies</b>	5 Gallon Pails
<b>Substrates</b>	Porous and Non-Porous
<b>Autocodes</b>	Time, Date, Use By, Julian, Count, Shifts, Variable Input, User Defined

## Dimensions: 9x Printhead



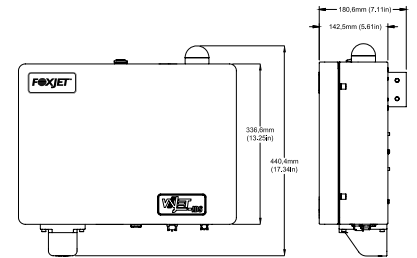
## Dimensions:

### Marksman HMI



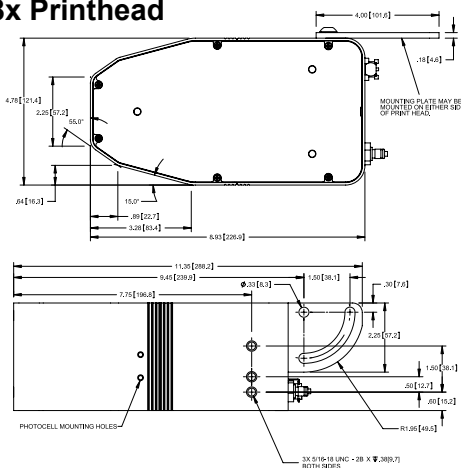
## Dimensions:

### VxJet IDS



## Dimensions:

### 18x Printhead



videos

inkjet coders



product info

scan me



1 Research Park Drive • St. Charles, MO 63304-5685  
Ph: 800.369.5384 • www.foxjet.com • info@foxjet.com

www.foxjet.com  
youtube.com/itwfoxjet